

NETAFIM DISC FILTERS - 3" Spin Klin™

WHAT MAKES NETAFIM'S AUTOMATIC DISC FILTERS THE MOST TRUSTED FILTRATION SYSTEM FOR IRRIGATION?

Disc filtration is depth filtration, which means it blocks much more dirt compared to other technologies, such as screen filters. Furthermore, it is the most effective filtration for surface water, and water containing organic contaminants. Along with automatic back flushing, corrosion resistance and small footprint, disc filtration also provides unmatched efficiency and reliability.

APPLICATION

- Primary filtration system for drip, sprinklers and micro sprinklers irrigation system
- Protects irrigation systems using surface water from lakes, reservoirs and ponds - typically contains various and ever-changing types of organic matter, mostly algae

THE NETAFIM ADVANTAGE - SUPERIOR PROTECTION ACROSS EVERY DIMENSION

Being the world's experts in irrigation, we know what it takes to prevent clogging, ensure irrigation uniformity, and protect your system. Compared to other solutions, 4" Spin Klin™ Apollo Twin offers:

- 1) Better dirt removal that stops 3 times more dirt particles than competitors, thanks to the unique design of its disc grooves
- 2) Higher filtration area that allows better protection and better irrigation uniformity
- 3) Less maintenance effort owing to a unique single backbone structure with less moving parts and non-corrosive materials
- 4) Unmatched service and support for thousands of systems sold worldwide and best-in-class agricultural and technical support.

BE SURE YOU'RE MAKING THE RIGHT COMPARISON

The larger the filtration area size, the better irrigation protection you get. Resulting in less backflush cycles and less wear and tear. A larger filtration area offers better clogging resistance, better irrigation uniformity and a cleaner irrigation system that runs smoothly and lasts much longer.

OTHER FEATURES AND BENEFITS

- Modular design provides flexibility and ability to expand the system
- Easier field installations with small footprint
- Conserves water and energy due to the short and efficient backwash process
- Two different spines for accurate design in terms of filtration area and flushing cycles

DISC COLOR / MESH / MICRON

	BLUE	YELLOW	RED	BLACK
MESH	40	30	120	140
MICRON	400	200	130	100

WATER QUALITY	FILTRATION VELOCITY	3" Spin Klin™
GOOD	170	30
AVERAGE	135	24
POOR	110	20

* Recommended flow rates for 130 microns



3" Spin Klin™

DESCRIPTION

The 3" Spin Klin™ series are modular, all polymeric, automatic disc filters with a patented self-cleaning backwash mechanism. The 3" Spin Klin™ systems range in flow rates from 90 m³/h (396 gpm) to 200 m³/h (880 gpm) with filtration degrees ranging from 55 - 400 micron. Inlet/Outlet from 160 - 200 mm (6" - 8") diameter.

APPLICATION

Primary or secondary automatic filter for maximum protection in systems irrigating with surface water that contains algae and other organic matter such as reservoirs, canals, rivers and wastewater applications.

SPECIFICATIONS

- Maximum operating pressure:
 - High pressure model: 10 bar/140 psi
 - Low pressure model: 6 bar/85 psi
- Minimum backflush pressure required:
 - High pressure model: 2.8 bar/40 psi
 - Low pressure model: 1.5 bar/21 psi
- Minimum allowable pH: 5

BENEFITS

- High filtration efficiency providing maximum protection for your irrigation systems
- Modular design for ease of installation and expansion
- Durable and long-lasting product made from anti-corrosive materials
- Short and efficient backwash process
- Available for low and high pressure applications - saving water and energy
- Small footprint - saves valuable space

TECHNICAL DETAILS

		3 UNITS	4 UNITS	5 UNITS
MAX PRESSURE		10 bar / 150 psi		
MIN BACK FLUSH PRESSURE		2.8 bar / 40 psi		
RECOMMENDED FLOW RATE (100, 130 MICRONS)	AVERAGE	90 m ³ /h	120 m ³ /h	150 m ³ /h
	POOR	72 m ³ /h	96 m ³ /h	120 m ³ /h
FILTRATION AREA		5,280 cm ²	7,040 cm ²	8,800 m ² /h
INLET/OUTLET DIAMETER		6"		
BACK FLUSH FLOW RATE		20 m ³ /h		

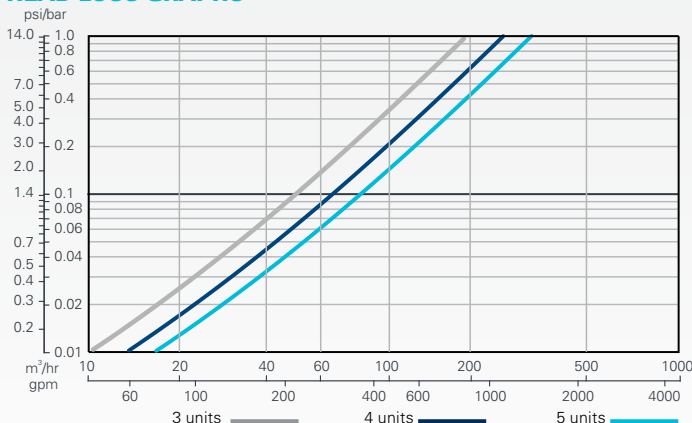
* Additional configurations are available upon request

LOGISTICS DATA

UNITS	IN/OUT MANIFOLDS	SAP CODE	DESCRIPTION
3	6"	70605-004320	AK SK S 336 UF 130MIC F110AC SOL DC
4	6"	70605-007020	AK SK S 436 UF 130MIC F110AC SOL DC
5	6"	70605-009720	AK SK S 536 UF 130MIC F110AC SOL DC
6	6"	70605-012820	AK SK S 636 UF 130MIC F110AC SOL DC
7	6"	70605-025235	AK SK S 736 UF 130MIC F1-10AC SOL DC B

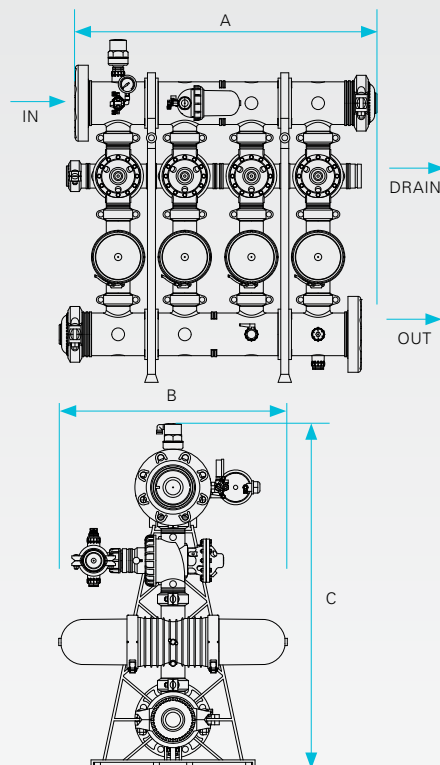
* Items in the table refer to filtration grade of 130 micron
 ** Additional filtration grades are available upon request

HEAD LOSS GRAPHS



* headloss is based on a 130 micron disc

DIMENSIONS



		3 UNITS	4 UNITS	5 UNITS
A	LENGTH	942 mm (37 3/32")	1192 mm (46 15/16")	1442 mm (56 25/32")
B	WIDTH	1442 mm (56 25/32")		
C	HEIGHT	1287 mm (50 21/32")		