

NETAFIM DISC FILTERS - 2" Spin Klin™

WHAT MAKES NETAFIM'S AUTOMATIC DISC FILTERS THE MOST TRUSTED FILTRATION SYSTEM FOR IRRIGATION?

Disc filtration is depth filtration, which means it blocks much more dirt compared to other technologies, such as screen filters. Furthermore, it is the most effective filtration for surface water, and water containing organic contaminants. Along with automatic back flushing, corrosion resistance and small footprint, disc filtration also provides unmatched efficiency and reliability.

APPLICATION

- Primary filtration system for drip, sprinklers and micro sprinklers irrigation system
- Protects irrigation systems using surface water from lakes, reservoirs and ponds - typically contains various and ever-changing types of organic matter, mostly algae

THE NETAFIM ADVANTAGE - SUPERIOR PROTECTION ACROSS EVERY DIMENSION

Being the world's experts in irrigation, we know what it takes to prevent clogging, ensure irrigation uniformity, and protect your system. Compared to other solutions, 4" Spin Klin™ Apollo Twin offers:

- 1) Better dirt removal that stops 3 times more dirt particles than competitors, thanks to the unique design of its disc grooves
- 2) Higher filtration area that allows better protection and better irrigation uniformity
- 3) Less maintenance effort owing to a unique single backbone structure with less moving parts and non-corrosive materials
- 4) Unmatched service and support for thousands of systems sold worldwide and best-in-class agricultural and technical support.

BE SURE YOU'RE MAKING THE RIGHT COMPARISON

The larger the filtration area size, the better irrigation protection you get. Resulting in less backflush cycles and less wear and tear. A larger filtration area offers better clogging resistance, better irrigation uniformity and a cleaner irrigation system that runs smoothly and lasts much longer.

OTHER FEATURES AND BENEFITS

- Modular design provides flexibility and ability to expand the system
- Easier field installations with small footprint
- Conserves water and energy due to the short and efficient backwash process
- Two different spines for accurate design in terms of filtration area and flushing cycles

DISC COLOR / MESH / MICRON

	BLUE	YELLOW	RED	BLACK
MESH	40	30	120	140
MICRON	400	200	130	100

WATER QUALITY	FILTRATION VELOCITY	2" Spin Klin™
GOOD	170	15
AVERAGE	135	12
POOR	110	10

* Recommended flow rates for 130 microns



2" Spin Klin™

DESCRIPTION

The 2" Spin Klin™ series are modular, all polymeric, automatic disc filters with a patented self-cleaning backwash mechanism. The 2" Spin Klin™ systems range in flow rates from 10 m³/h (44 gpm) to 90 m³/h (396 gpm) with filtration degrees ranging from 55 - 400 micron. Inlet/Outlet from 80 - 150 mm (3" - 6") diameter.

APPLICATION

Primary or secondary automatic filter for maximum protection in systems irrigating with surface water that contains algae and other organic matter such as reservoirs, canals, rivers and wastewater applications.

SPECIFICATIONS

- Maximum operating pressure:
 - High pressure model: 10 bar/140 psi
 - Low pressure model: 6 bar/85 psi
- Minimum backflush pressure required:
 - High pressure model: 2.8 bar/40 psi
 - Low pressure model: 1.5 bar/21 psi
- Minimum allowable pH: 5

BENEFITS

- High filtration efficiency providing maximum protection for your irrigation systems
- Modular design for ease of installation and expansion
- Durable and long-lasting product made from anti-corrosive materials
- Short and efficient backwash process
- Available for low and high pressure applications - saving water and energy
- Small footprint - saves valuable space

TECHNICAL DETAILS

		2 UNITS	3 UNITS	4 UNITS
MAX PRESSURE		10 bar / 150 psi		
MIN BACK FLUSH PRESSURE		2.8 bar / 40 psi		
RECOMMENDED FLOW RATE (100, 130 MICRONS)	AVERAGE	24 m³/h	36 m³/h	48 m³/h
	POOR	20 m³/h	30 m³/h	40 m³/h
FILTRATION AREA		1,760 cm²	2,640 cm²	3,520 cm²
INLET/OUTLET DIAMETER		3"	4"	4"
BACKFLUSH FLOW RATE		10 m³/h		

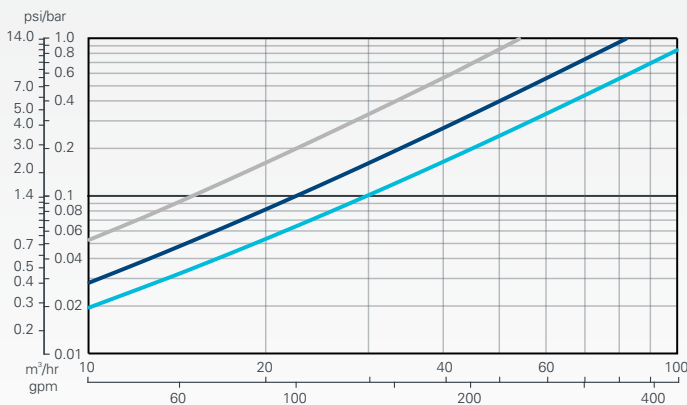
* Additional configurations are available upon request

LOGISTICS DATA

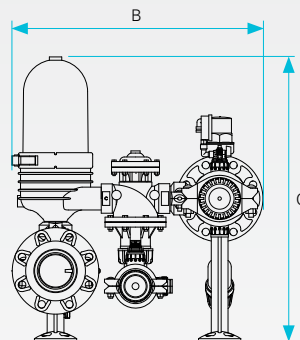
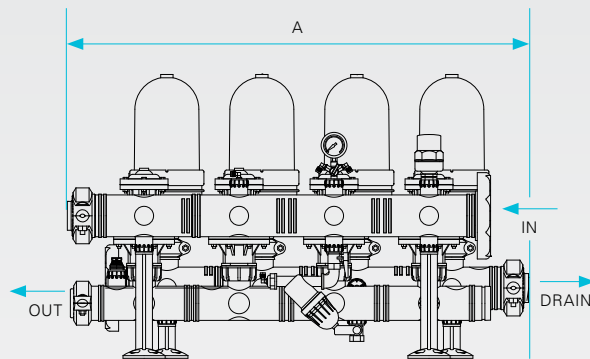
UNITS	IN/OUT MANIFOLDS	SAP CODE	DESCRIPTION
1	2"	70605-001005	AK SK S 122 T 130MIC F110AC SOL DC
2	3"	70605-001370	AK SK S 223 UF 130MIC F110AC SOL DC
3	4"	70605-002850	AK SK S 324 UF 130MIC F110AC SOL DC
4	4"	70605-005450	AK SK S 424 UF 130MIC F110AC SOL DC

* Items in the table refer to filtration grade of 130 micron
 ** Additional filtration grades are available upon request

HEAD LOSS GRAPHS



DIMENSIONS



	2 UNITS	3 UNITS	4 UNITS
A LENGTH	706 mm (28")	964 mm (38")	1,214 mm (48")
B WIDTH	660mm (26")		
C HEIGHT	747mm (30")		